



1-800-524-5427

sales@icswaco.com

www.icswaco.com

P.O. Box 21056 Waco, TX 76702-1056



Cook's Gator Insulated Tray

SKU: CC630-105



Designed with input from correctional professionals, the Gator Tray offers exceptional durability, heat retention and functionality with the traditional five compartment layout and an innovative five compartment layout. One of the best features of this tray is that it's easy to stack because of the non-directional compartment layout adding speed and efficiency to your tray assembly process.

<u>Item Number</u>	<u>Color</u>	<u>Case Pack</u>	<u>Weight (Case)</u>
CC630-105-BRW	BROWN	10/CS	12 bs.

RUGGED CONSTRUCTION	One-piece construction means no seams to split or crack. Thick copolymer skin with reinforced center bead and foam insulated interior add support and strength so that corners and sides are dent resistant.
EASY TO CLEAN	The Gator Trays are dishwasher safe and naturally stain resistant and will not retain odors, making them easy to clean. Additionally, the trays will not absorb water extending the life.
MAXIMUM HEAT RETENTION	Specialized insulation injection process eliminates air pockets to provide superior heat retention.
STACKABLE	Top and bottom surfaces nest securely so trays will be flat and stack up straight improving heat retention of meal
WARRANTY	The Gator Trays are backed up by a two year full replacement warranty against manufacturing defects.



1-800-524-5427

sales@icswaco.com

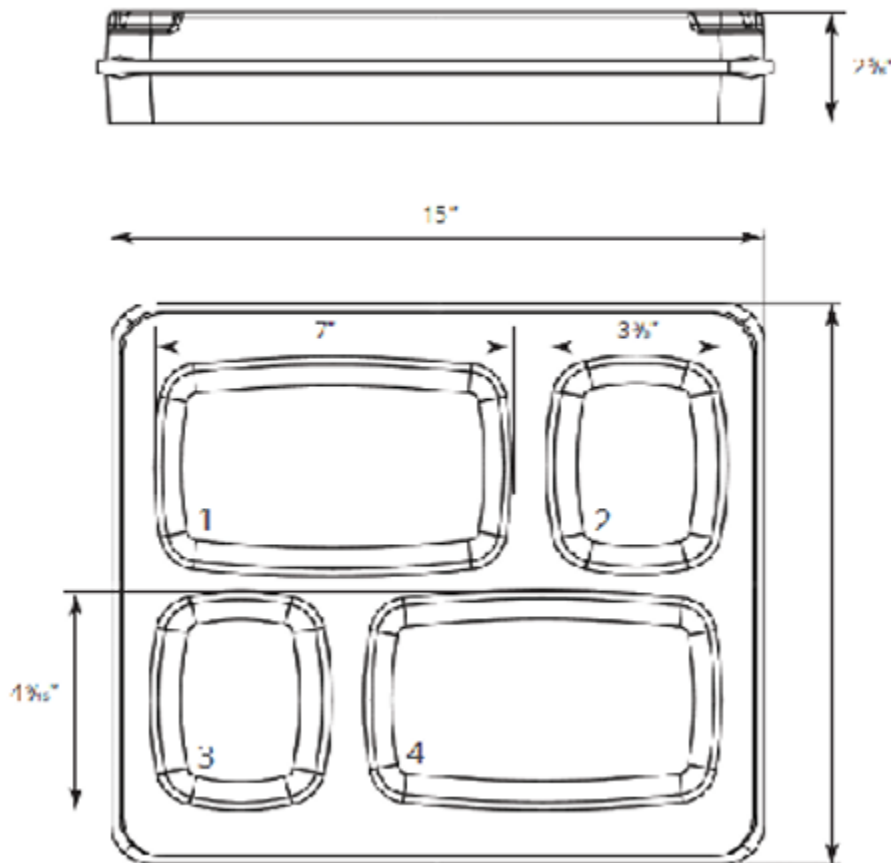
www.icswaco.com

P.O. Box 21056 Waco, TX 76702-1056

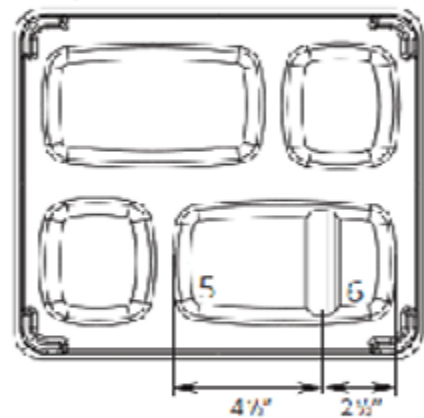


Dimensions	<ul style="list-style-type: none">Length: 15"Width: 13 1/2"Depth: 2 5/8"
Compartment Sizes	<ul style="list-style-type: none">1- 12-16 oz.2 - 6 oz.1 - 12-16 oz. w/ 4 oz. subdivision
Additional Info	None

Dimensions:



5 Compartment



Compartment Capacities:

1 & 4 - 12 to 16 oz. Entrée/side

2 & 3 - 6 oz. side.

5 - Bread or 8 to 10 oz.

6 - 4 oz. size